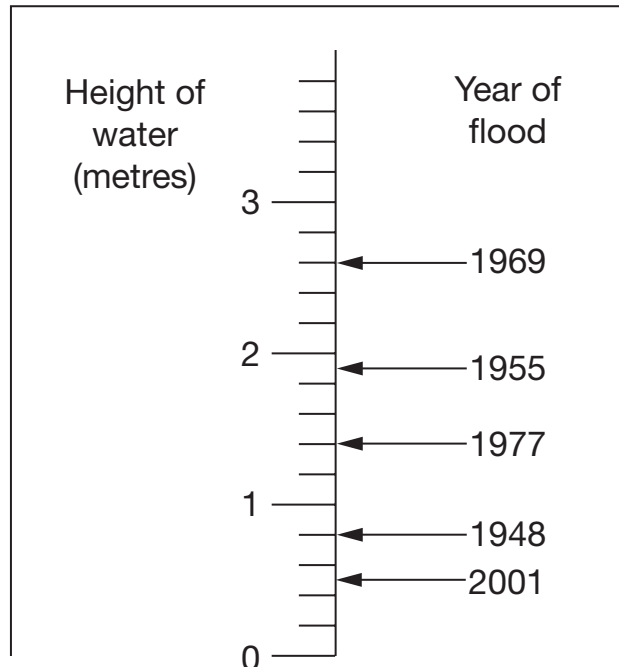


1 This scale shows the dates of floods and the height of the water in the floods.

[2008]



How high was the water in the 1955 flood?



How much higher was the water in the 1969 flood than in the 1948 flood?



[2 marks]

2

Kate has a piece of ribbon **one metre** long.

[2007]

She cuts off 30 centimetres.



How many centimetres of ribbon are left?

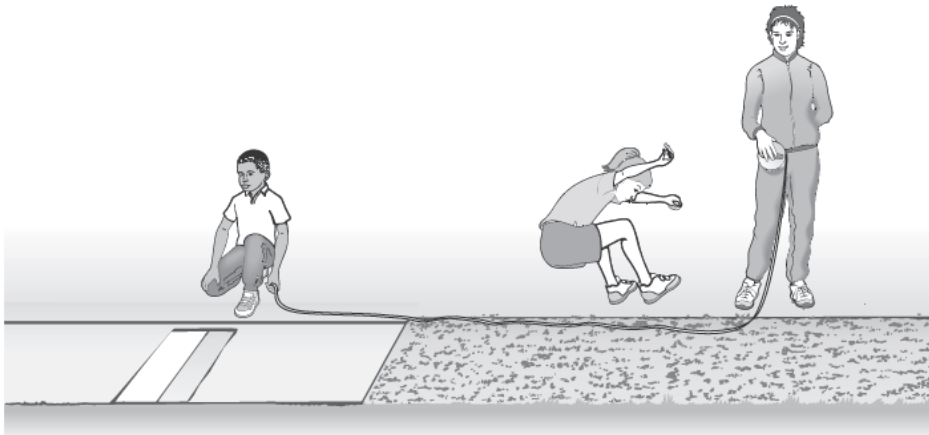


cm

[1 mark]

3

[2012]



Seb made a jump of two and a half metres.

Kirsty's jump was 15 centimetres longer.

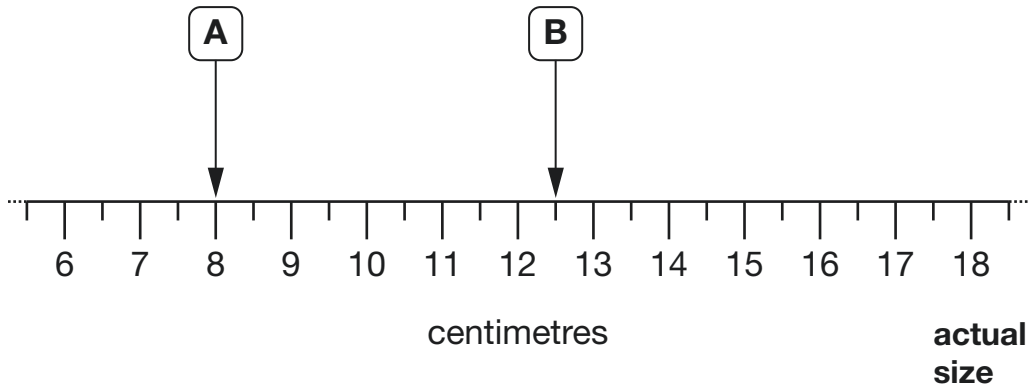
How long was Kirsty's Jump?

[1 mark]

4

Here is part of a centimetre scale, with two points marked.

[2015]



What is the distance between point **A** and point **B**?



cm

Point **C** is **twice as far** from point A as it is from point B.

On the scale above, mark one place where point C could be.

[2 marks]

5

Tick (✓) the best estimate for the **height of a door**.

[Extra]

2 millimetres

2 centimetres

2 metres

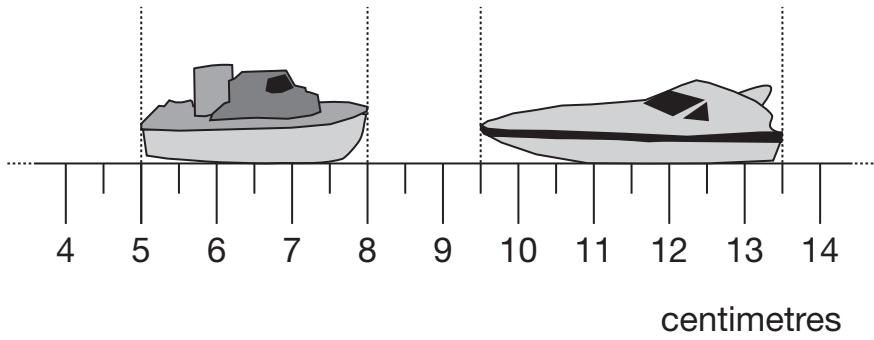
2 kilometres

[1 mark]

6

Here are two model boats on a centimetre scale.

[2011]



Actual size

How far apart are the boats?

 cm

What is the **difference** in the lengths of the two boats?

 cm

[2 marks]

7

Fill in the gaps using units of **length**.

[Extra]

The first one is done for you.

There are 10 in one

There are 100 in one

There are 1000 in one

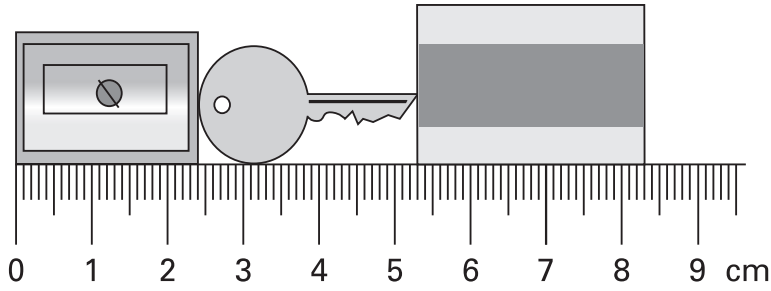
[2 marks]

8

Here are a pencil sharpener, a key and a rubber.

[2002]

Actual size



What is the length of **all three things** together?

Give your answer in **millimetres**.



What is the length of the **key**?

Give your answer in **millimetres**.



[2 marks]

9

Which value completes the sentence? Tick (✓) the correct box

[Extra]

The **length** of a **banana** is about...

2 cm

20 cm

200 cm

2000 cm



[1 mark]

10Tick (✓) the best estimate for the **length of a pen**.

[Extra]

 14 millimetres 14 centimetres 14 metres 14 kilometres

[1 mark]

11

Write these lengths in order, starting with the shortest.

[2003]

 $\frac{1}{2}$ m

3.5cm

25mm

20cm



shortest

[2 marks]

12Tick (✓) the best estimate for the distance between **Leeds** and **Manchester**.

[Extra]

 64 millimetres 64 centimetres 64 metres 64 kilometres

[1 mark]

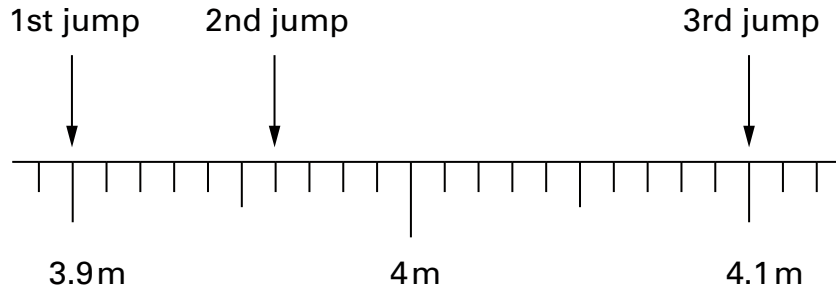
13

Peter took part in a long jump competition.

[Extra]

He had three jumps.

The arrows on the scale show how far he jumped each time.



How far did Peter jump on his **2nd** jump?

 m

Peter jumped further on his **3rd** jump than on his **1st** jump.

How much further?

Write your answer in metres.

 m

Now write your answer in centimetres.

 cm

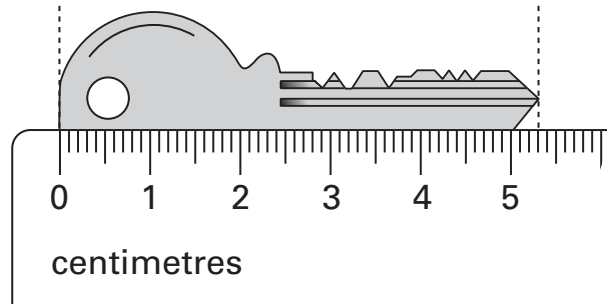
[3 marks]

14

The diagrams in this question are not drawn accurately.

[Extra]

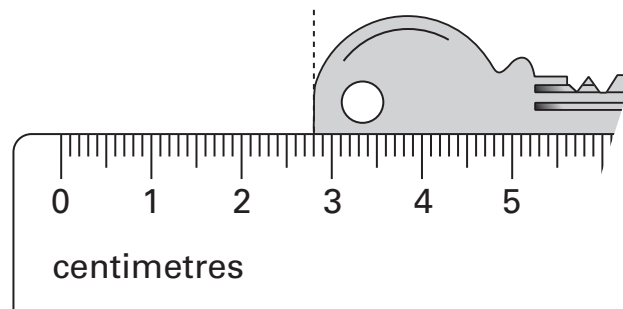
The diagram shows Jo's key.



Use the scale to find the length of Jo's key.



This time you cannot see all of Jo's key.



One end is at 2.8cm on the scale.

Where is the other end on the scale?



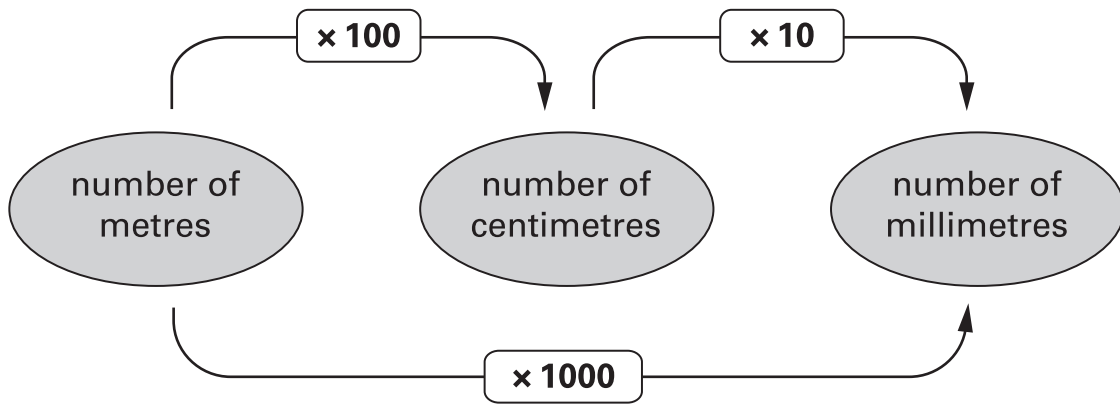
[2 marks]

15

[Extra]

Look at the diagram.

It shows how to change metres into centimetres and millimetres.



Change **5 metres** into centimetres.



..... centimetres

Change **9 centimetres** into millimetres.



..... millimetres

Change **8000 millimetres** into metres.



..... metres

[3 marks]

16

Circle **one** amount to make the sentence correct.

[Extra]

The distance from London to Manchester is about ...

320 m
3200 m
32 km
320 km

[1 mark]

17

Dave and Steve are in a high jump competition.

[Extra]

Dave jumps $1\frac{1}{4}$ metres.

Steve jumps 1.4 metres.



Who jumps higher? Tick (✓) Dave or Steve.

Dave

Steve

How much higher does he jump?

Give your answer in metres.

Show your method

--

[3 marks]

18

Freddie is half as tall as his mother.

[2012]

Freddie is one metre shorter than his father.

Freddie's father is 182 centimetres tall.



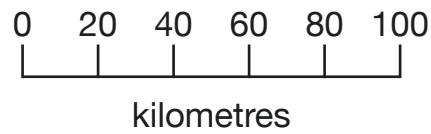
How many centimetres tall is Freddie's mother?

[1 mark]

19

On a map, 1cm represents 20 km.

[2017]



The distance between two cities is **250 km**.

On the map, what is the distance between the two cities?

Show your method

A large rectangular grid with a black border. The grid is composed of small squares. On the right side of the grid, there is a smaller, empty rectangular box with a black border, intended for the final answer.

[2 marks]